



Permissions For Reprints Contact: 1-800-640-8285

## How To Repair Leaky Faucet: Try Grinding The Valve Seat

In the preceding recipe we told you that the leak in your faucet was caused by a defective washer; now, when the leak is still there after you've gone through the entire procedure, we're telling you the cause is a corroded valve seat, and that you've got to take the whole faucet apart again. Don't be angry-for long. This recipe for grinding a defective valve seat is a brief and simple one and will usually do the trick.

### Utensils

Valve seat grinder (you will have to measure the inside diameter of the valve to purchase correct size)  
Smooth or flat-jaw adjustable wrench  
Masking tape  
Flashlight

### Approximate Time: 30 To 45 Minutes

1. Cut off water supply at valve stop beneath fixture or in basement.
2. Remove faucet handle.
3. Tape cap nut to avoid damage by wrench jaws.
4. Remove cap nut under screw stem and lift out.
5. Insert valve seat grinder and tighten in place, either with cap nut or tightening device, which comes with grinder (Fig. 73).
6. With gentle, downward pressure, turn grinder in continuous clockwise direction until valve seat is smooth. The surface of the seat should be shiny. Inspect with flashlight. Note: You should purchase a grinder with finest cutter available.
7. Reassemble faucet.
8. Turn on water. Leak will have disappeared.

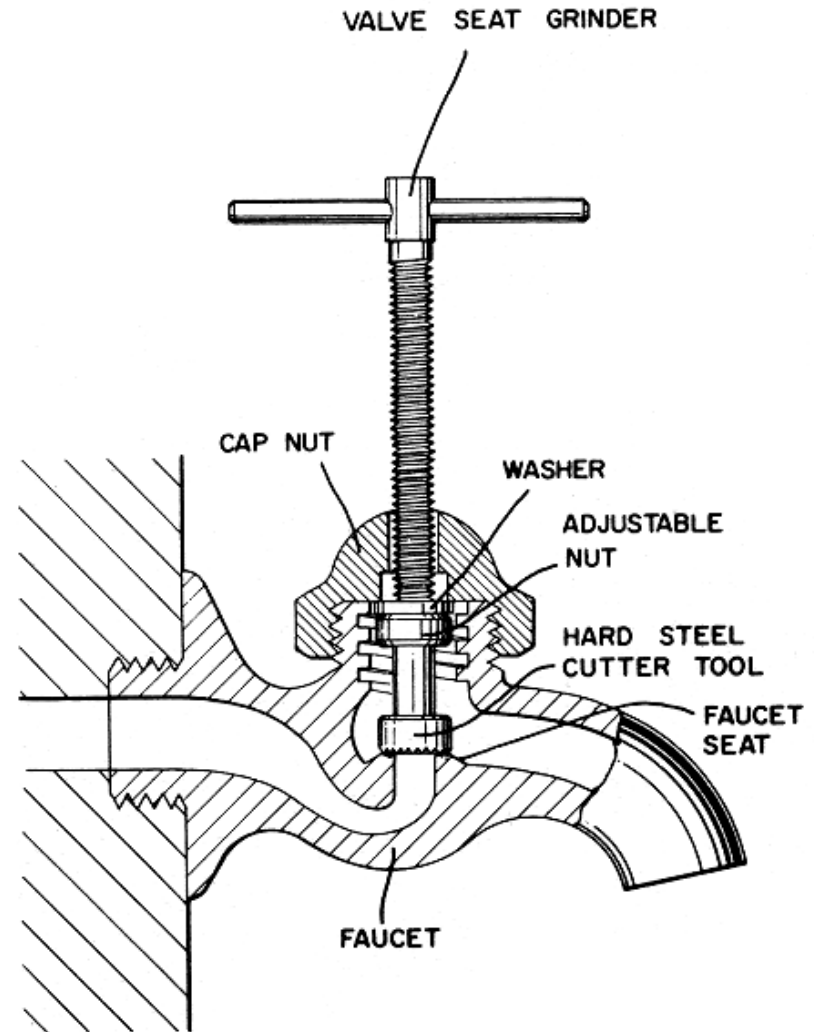


Figure 73.  
Repairing Leaky Faucet