



Permissions For Reprints Contact: 1-800-640-8285

How To Replace Worn Washers: Toilet Water Runs Constantly

Is the water from the toilet flowing non-stop? You've noticed by now that one symptom of a flush tank malady may have one or several possible causes. Repair is often performed on a trial-and-error basis. Sorry about that, folks-but this is the only way you can be sure of correcting the condition once and for all.

In this particular case, the cause for continuous water flow may be worn washers in plunger valve.

Ingredients

- Plunger washer
- Seat washer
- New seat washer screw, if necessary

Utensils

- Small and medium flat blade screwdrivers
- Pliers
- Adjustable wrench

Approximate Time: 30 Minutes

1. Turn off water supply and empty tank by flushing.
2. Disassemble plunger valve linkage by turning wing screws in counterclockwise direction (Fig. 81 A). If regular screws, use screwdriver.
3. Lift plunger from valve. If this is difficult, turn out gently with pliers.
4. Take plunger to hardware store and have the salesperson give you a new plunger washer and seat washer to match your plunger exactly. The same holds for the new seat washer screw, if one is necessary for your plunger.
5. Home again, unscrew old seat washer screw (if you have one) and remove seat washer (Fig. 81B). If your plunger does not have a screw, simply pry out the old washer with a screwdriver. (Chances are, the person at the hardware store will already have removed it for you.)
6. Install new seat washer securely.
7. The plunger washer fits into a groove in the side of the plunger. It is a split washer, made of leather or rubber. Remove it.
8. Install new plunger washer.
9. Reassemble entire valve body and readjust linkage and float arm as necessary.

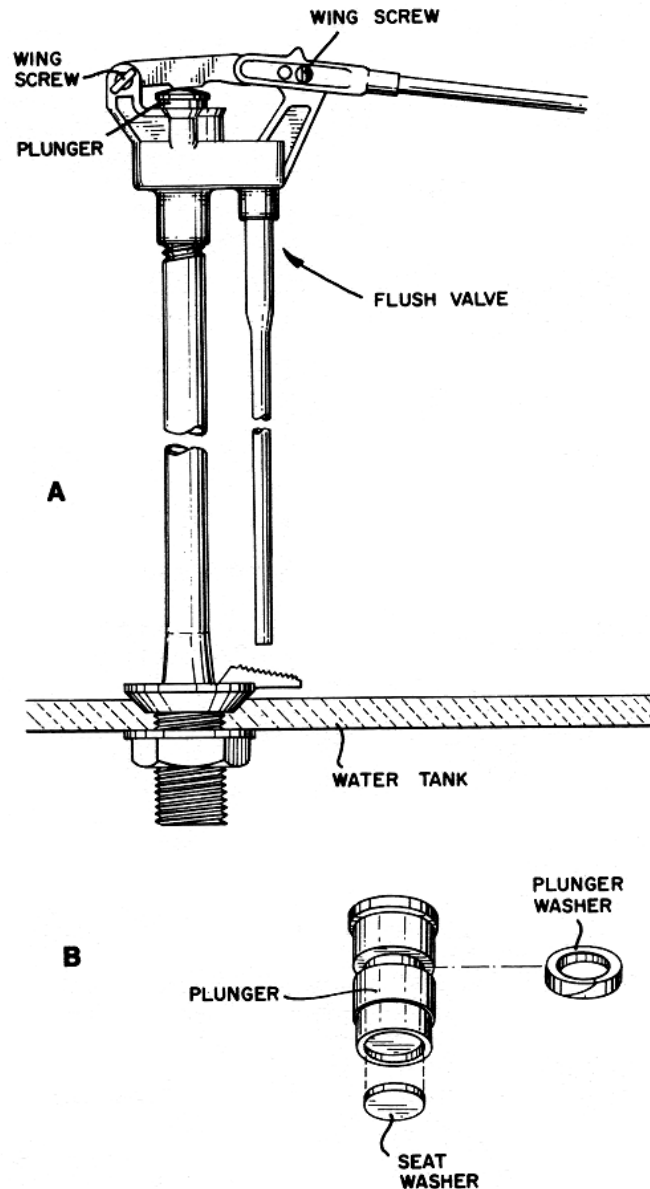


Figure 81.
Replacing Worn Washers in Toilet Tank